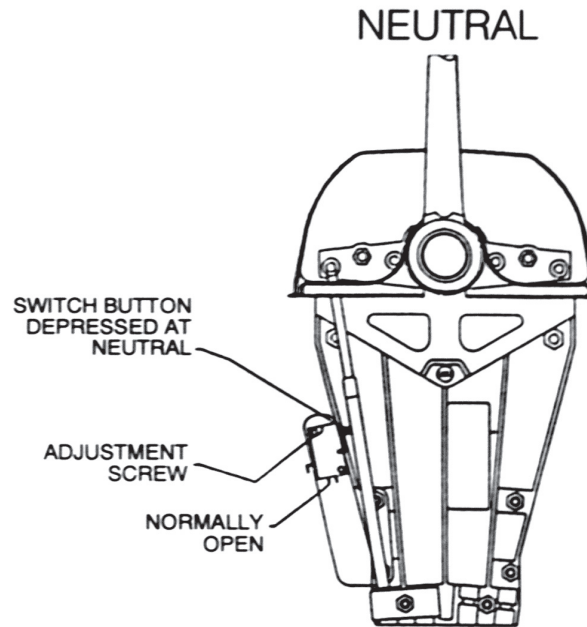


**INSTALLER: THESE INSTRUCTIONS CONTAIN IMPORTANT SAFETY INFORMATION AND MUST BE FORWARDED TO THE BOAT OWNER.**

## 041117 SR CONTROL NEUTRAL SAFETY SWITCH KIT

**NOTICE**

*Please read these instructions carefully and in their entirety before beginning installation.*

*All specifications and features are subject to change without notice.*

**NOTICE**

*This neutral safety switch kit is designed for use with the Teleflex Marine SR style controls. Its purpose is to prevent the engine from being started while the control is in gear.*

Prior to installing the cable into the control, secure the bracket to the control base as shown in Figure A, using the screws, nuts, and lock washers (items 4, 7 and 8). Place the cable in the mounting slot of the control and retain it with the cable retainer plate, the screw and the washer that came with the control.

Next, attach the switch to the bracket with the hardware as shown. Make sure that you have lock washers between the spacer and the metal switch bracket. **DO NOT TIGHTEN THE SCREWS DOWN AT THIS TIME.**

Adjust the switch at the slotted hole in the bracket so that the cable sleeve closes the switch at the position nearest to neutral. **TIGHTEN THE SCREWS AT THIS POINT.**

Finally, wire the switch into the circuit between the starter solenoid and the starter key switch. Use the common and normally open terminals. At this point check the setup to verify that the engine will not start if the control is out of the neutral position.

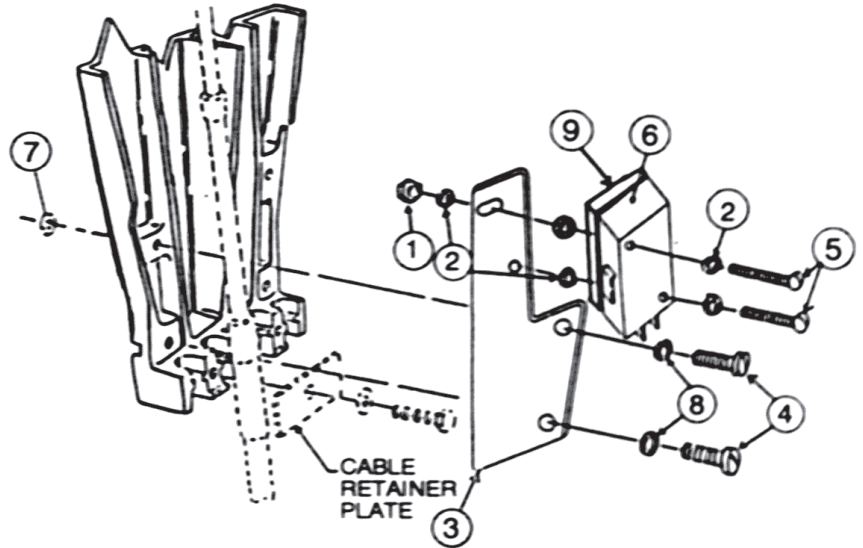


FIGURE A

## CONTENTS

1.	Nut Hex	1
2.	Internal Tooth Lockwasher #4	5
3.	Bracket	1
4.	Screw, Fillet Hd #10-32 x 5/8 long	2
5.	Screw, Rnd Hd #4-40 x 7/8 long	2
6.	Switch	1
7.	Nut Hex #10-32	2
8.	Internal tooth Lockwasher #10	2
9.	Spacer	1

USA Sales/Support  
 Teleflex Marine  
 640 North Lewis Road  
 Limerick, Pennsylvania  
 19468  
 610-495-7011  
 www.teleflexmarine.com

Overseas Sales/Support  
 Teleflex Marine  
 International Sales and  
 Marketing  
 PO Box 5990  
 Verwood, Dorset  
 BH31 9AA  
 United Kingdom  
 www.teleflexmarine.com

**INSTALLER: THESE INSTRUCTIONS CONTAIN IMPORTANT SAFETY INFORMATION AND MUST BE FORWARDED TO THE BOAT OWNER.**