

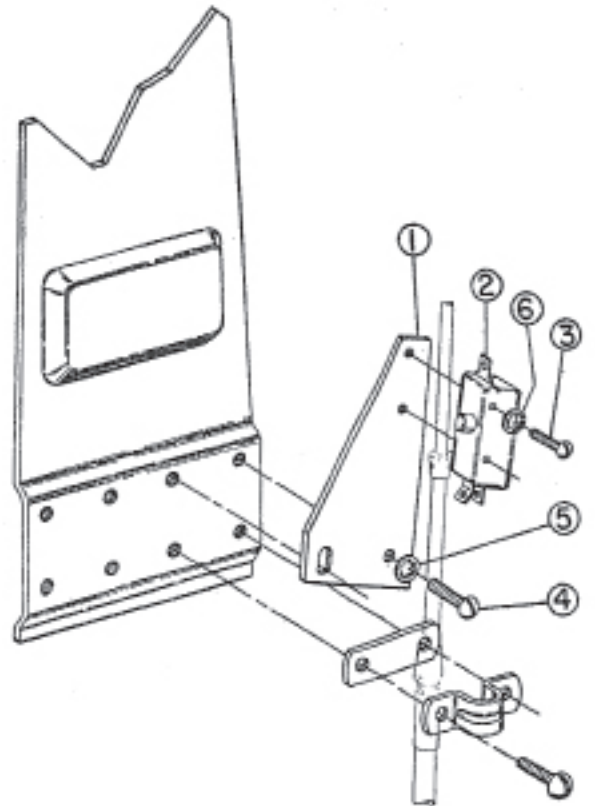
INSTALLER: THESE INSTRUCTIONS CONTAIN IMPORTANT SAFETY INFORMATION AND MUST BE FORWARDED TO THE BOAT OWNER.

Part Number 047346

**NEUTRAL SAFETY SWITCH**

Use with Morse Model  
"MC," "MJ," "MJB," "MS," and "MSC"  
Controls

1. Secure bracket to the control using screws (4) and lockwashers (5). DO NOT TIGHTEN AT THIS TIME.
2. Attach switch to bracket with screws (3) and lockwashers (6).
3. Adjust bracket so that cable closes switch at position nearest neutral and tighten screws.
4. Wire switch into the circuit between the starter solenoid and starter key switch. Use common and normally open terminals.



Item No.	Description	No. Req'd.
1	Bracket . . . . .	1
2	Switch . . . . .	1
3	Screw, Rd. Hd. #6-32 x 7/8 lg. . . . .	2
4	Screw, Rd. Hd. 1/4-20 x 1/2" lg. . . . .	2
5	Lockwasher, Int. Tooth, 1/4 .	2
6	Lockwasher, Int. Tooth, #6..	2

USA Sales/Support  
Teleflex Marine  
640 North Lewis Road  
Limerick, Pennsylvania  
19468  
610-495-7011  
www.teleflexmarine.com

Overseas Sales/Support  
Teleflex Marine  
International Sales and  
Marketing  
PO Box 5990  
Verwood, Dorset  
BH31 9AA  
United Kingdom  
www.teleflexmarine.com