

INSTALLER: THESE INSTRUCTIONS CONTAIN IMPORTANT SAFETY INFORMATION AND MUST BE FORWARDED TO THE BOAT OWNER.

PART NUMBER 040773 DUAL STATION CLUTCH or THROTTLE CONNECTION KIT

Use With Type 43-C Cables

This universal dual station connection kit can be used to connect the control cables leading from the control heads to the throttle or clutch levers at the engine or transmission.

1. Fabricate a sturdy bracket to which the clamp support #10 can be mounted. The bracket must be located to allow an unrestricted cable path and to provide the correct distance to the clutch or throttle lever.

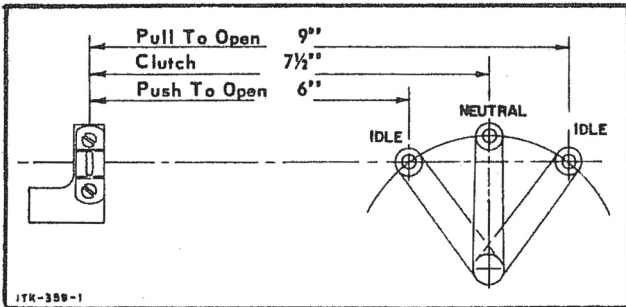


FIGURE 1

2. Refer to Figure 1 to determine the correct distance between the center of the cable clamps and the throttle or clutch lever. Note that the distance is measured with the clutch lever in neutral and the throttle lever in idle position.

3. Attach clamp support to the fabricated bracket, using the screws, lockwashers and nuts provided. Attach pivot pin #7 to the engine or transmission lever.

4. Using the clamps, #9, fasten the cable hubs to the clamp support and secure with the screws, nuts and lockwashers provided. Be sure that the groove inside the clamps engages the groove in the cable hubs.

FOR CLUTCH KIT INSTALLATION

5. With the control head hand levers in neutral and the clutch lever at neutral, screw terminals #8 onto the cable ends until they align with the pivot pin #7. Hold terminals to prevent them from turning and tighten cable nuts against them.

NOTE

Terminals must be installed with the flat surfaces together as shown in the assembled view.

6. Lubricate pin. Place terminals over pin and lock with E-Ring.

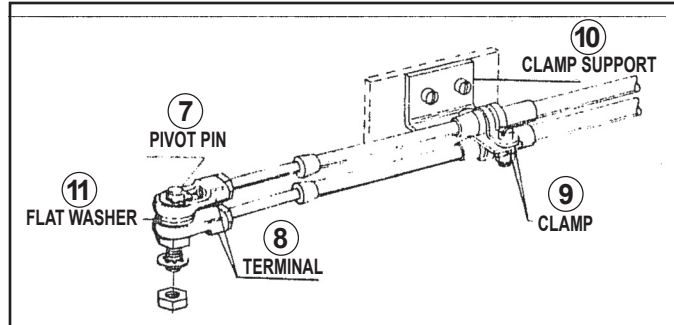


FIGURE 2

Item	DESCRIPTION	No. Req'd.
1	Nut, Hex, 1/4-28	1
2	Lockwasher, Int. Tooth 1/4.....	1
3	E-Ring 5/16 Nom.....	1
4	Screw, Fil. Hd. #10-32x3/4" lg.....	4
5	Lockwasher, Int. Tooth #10.....	4
6	Nut, Hex, #10-32	4
7	Pivot Pin	1
8	Cable Terminals.....	2
9	Clamps.....	2
10	Clamp Support.....	1
11	Washer, Flat SAE 5/16.....	2

FOR THROTTLE KIT INSTALLATION

7. With control head hand levers in idle position and engine throttle lever against its idle stop, screw terminals #8 onto cable ends until they align with the pivot pin #7. Hold terminals to prevent them from turning and tighten cable nuts against them.

NOTE

Terminals must be installed with the flat surfaces together, as shown in the assembled view.

8. Lubricate pivot pin #7. Place terminals over pin and lock with cotter pin.

9. Refer to control head instructions for final check and adjustment procedures.

NOTE

When installing this kit with Model "S" or "SR" controls, adjust the stop screws in the control head to prevent the cable from jamming the throttle arm against its stops at idle or full throttle.

USA Sales/Support
Teleflex Marine
640 North Lewis Road
Limerick, Pennsylvania
19468
610-495-7011
www.teleflexmarine.com

Overseas Sales/Support
Teleflex Marine
International Sales and
Marketing
PO Box 5990
Verwood, Dorset
BH31 9AA
United Kingdom
www.teleflexmarine.com