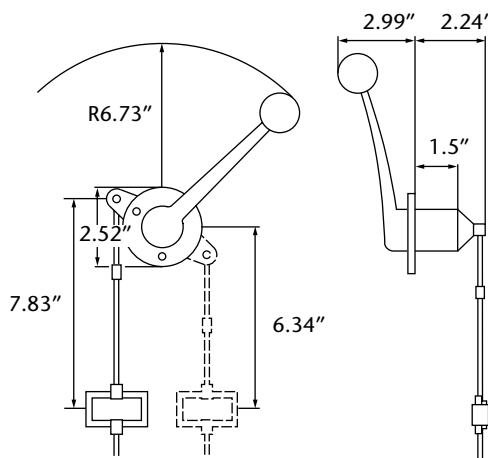


AT A GLANCE

FEATURES

- Durable heavy chrome finish
- Simple rugged compact design
- Available with or without throttle brake
- STB complete with adjustable friction damper
- Control suits 33C type cables or 43C type cable



## ST AND STB FLUSH/SIDE MOUNT CONTROLS

### TECHNICAL DATA

Single function, single lever control simple trouble free design. The time proven design of these controls means years of reliable operation. Suits 33C or 43C type cable.

### SPECIFICATIONS

ORDER INFORMATION	PART NO.
ST Control (30 series cables)	031791
STB Control w/brake (30 series cables)	044777
ST-HD Control (40 series cables)	039115
STB-HD w/brake (40 series cables)	045978

ACCESORIES AND PARTS	PART NO.
Black ball knob	4009819**
Stainless steel shift knob (smooth)	CA69051P**
Mounting hardware kit (30 series kit)	062279

\*\*Fits most controls with 3/8-24 threaded levers

COMPATIBLE CABLES	PART NO.
OEM/Univ. 3300 Types	
Mercury 3600 type cable (premium)	CC630XX
Universal 3300 Types	
3300 cable (standard)	CC172XX
3300 cable (midrange)	CC330XX
33C cable (midrange)	032377-03-XXX.0
33C Supreme (midrange)	301947-03-XXX.0
TFXTREME 3300 cable (premium)	CC633XX
Universal 43 Types	
TFXTREME 4300 BC cable	CC692XX
TFXTREME 4300 CC cable	CC693XX

