

AT A GLANCE

FEATURES

- Single action (throttle or shift in one lever)
- Flush top mount
- Stainless steel levers
- Neutral safety switch option to prevent starting in gear
- Positive shift detents, smooth ratchet throttle or adjustable throttle brake
- Standard control suits 33C type cables
- Levers available in black, satin and polished stainless steel finishes

MY FLUSH MOUNT CONTROLS



TECHNICAL DATA

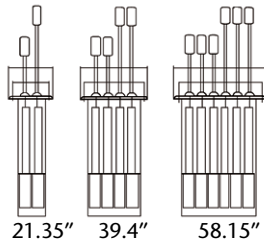
Sports styling, flush mount design. Various finish/color options, single action levers, available in two, four and six handle configurations. Suits 33C types cables.

SPECIFICATIONS

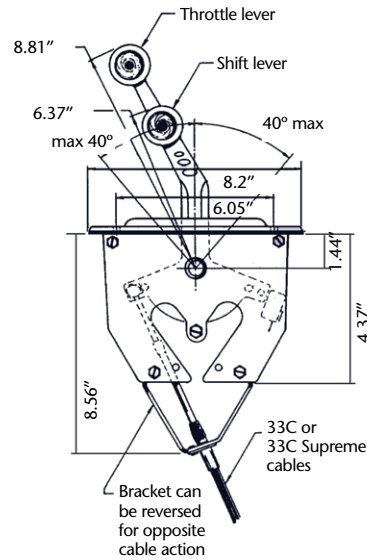
ORDER INFORMATION	PART NO.
Black housing, Black levers	
(1 throttle T, aft cant)	311110-420
(1 shift, 1 throttle ST, aft cant)	311111-460
(2 throttle TT, aft cant)	311120-460
(2 shift SS, aft cant)	311193-460
(2 shift, 2 throttle STTS, aft cant)	311122-460
(2 shift, 2 throttle SSTT, aft cant)	311188-460
(3 shift, 3 throttle SSSTTT, aft cant)	311133-460
(All above: ratcheting throttle with no friction brake.)	
(1 shift, 1 throttle ST, fwd. cant)	311111-161
(2 shift, 2 throttle SSTT, aft cant)	311188-461
(3 shift, 3 throttle SSSTTT, fwd. cant)	311133-151
(All above: resistance throttle with friction brake.)	
Black housing, Satin levers	
(1 shift, 1 throttle ST, fwd. cant)	311111-270
(Above: ratcheting throttle with no friction brake.)	
(1 shift, 1 throttle ST, fwd. cant)	311111-261
(Above: resistance throttle with friction brake.)	

ORDER INFORMATION	PART NO.
Black housing, Stainless levers	
(1 shift, 1 throttle ST, aft cant)	311111-521
(Above: resistance throttle with friction brake.)	
(1 shift, 1 throttle ST, aft cant)	311111-560
(2 shift, 2 throttle STTS, aft cant)	311122-560
(3 shift, 3 throttle SSSTTT, aft cant)	311133-560
(All above: ratcheting throttle with no friction brake.)	
White housing, Satin levers	
(2 shift, 2 throttle STTS, aft cant)	311113-560
(2 shift, 2 throttle SSTT, aft cant)	311118-560
(All above: ratcheting throttle with no friction brake.)	
White housing, Stainless levers	
(2 shift, 2 throttle SSTT, fwd. cant)	311118-261
(Above: resistance throttle with friction brake.)	
White housing, Black levers	
(1 shift, 1 throttle ST, aft cant)	311109-460
(Above: ratcheting throttle with no friction brake.)	





OPTIONS/SERVICE ITEMS	PART NO.
Mounting Screws - Black	306047
Cable Pivot Kit (Single Cable)	306048-001
Cable Pivot Kit (Two Cables)	306048-002
Neutral Safety Switch Kit	306594
Detent & Spring Kit	306595
Throttle Friction Kit (one per throttle lever)	306615



Number Code: Because there are many combinations available with the MY Control, a part numbering system has been developed to help you identify how the part number of the control is configured.

3	1	1	1	?	?		x	x	x
---	---	---	---	---	---	--	---	---	---

Base Number

Handle Orientation/finish	Push/Pull selection at the engine	Throttle
1 - Black; Forward Cant	1 - Push to open, all throttle levers	1 - Resistance throttle with friction brake, no throttle detents
2 - Satin or Stainless; Forward Cant	2 - Pull to open, all throttle levers	
4 - Black; Aft Cant	3 - Push into forward gear, all shift levers	0 - Ratchet throttle has throttle detents without friction brake
5 - Satin or Stainless; Aft Cant	4 - Pull into forward gear, all shift levers	
	5 - Push to open throttle/pull into forward gear	
	6 - Pull to open throttle/pull into forward gear	
	7 - Push to open throttle/push into forward gear	
	8 - Pull to open throttle/push into forward gear	

