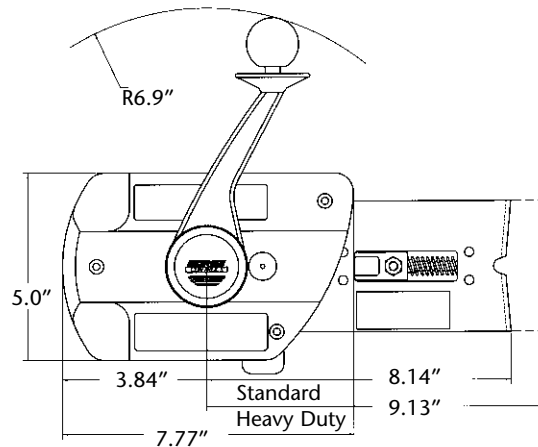


## AT A GLANCE

### FEATURES

- Fits all popular out-boards, inboards and stern drives
- Emergency cut-off feature available for most popular MV-3 Jet boat models
- Ergonomically designed handgrip for maximum comfort and convenience
- Crisp, positive detents
- Built in friction drag to reduce throttle creep
- Neutral interlock feature to prevent accidental shifting
- New non-corrosive cover/housing
- Standard control suits 33C type cables
- Neutral safety switches available for many MV3 models
- Standard control suits 33C type cables
- Neutral throttle warm-up



## MV3 SKI BOAT CONTROL

### TECHNICAL DATA

The MV3 dual function, single lever control is the choice of competitive ski boat drivers and jet boat enthusiasts. Suits 33C type control cables. Models available for Berkeley Jet and Mercury 175 hp Sport Jet with 43 series cables.

### SPECIFICATIONS

ORDER INFORMATION	Cable Entry	Neutral Safety Switch	Immersion Proof Neutral Safety SW.	PART NO.
MV-3 Competition Ski Boat Version	Forward	-	-	311335
MV-3 Standard Control	Aft	X	-	311364
MV-3 Standard Control with throttle limit	Aft	X	-	311481
MV-3 Standard	Aft	X	-	311480
<b>MV-3 For Jet Boats:</b>				
MV-3, right mount, Berkeley, 43BC Shift Cable	Aft	-	-	311412
MV-3, left mount, Berkeley, 43BC Shift Cable	Forward	-	-	311413
MV-3 Control, Mercury Sport Jet 90, right mount	Aft	-	X	311415
MV-3 Control, Mercury Sport Jet 90, right mount	Forward	-	X	311414
MV-3 HD Control 175 HP only, 43C Shift Cable	Aft	X	-	311508
<b>MV-3 With Emergency Cut-Off Switch (Jets &amp; Outboards):</b>				
MV-3 Competition Ski Boat Version	Forward	-	X	311335-002
MV-3 Mercury Sport Jet 90 right mount	Forward	-	X	311414-002
MV-3 Mercury Sport Jet 90, right mount	Aft	-	X	311415-002
MV-3 for Standard Control for Jet Boats	Aft	X	X	311364-002
MV-3 HD Mercury Jet 175 HP Only, right mount, 43C Shift Cable	Aft	X	X	311508-002
<b>MV-3 With Emergency Cut-Off Switch (Stern drives &amp; Inboards):</b>				
MV-3 Competition Ski Boat Version	Forward	-	X	311335-001



OPTIONS/SERVICE ITEMS	PART NO.
Ball Knob, Black	4009819
MV-2 Hand Lever Assembly	311354
Neutral Safety Switch Replacement	300928
OMC Replacement Shift Switch Only	301585
Immersible Neutral Safety Switch for Jet	051801-031
MV-3 Emergency Cut-Off Switch Kit for Jet and Outboard	311482-002
MV-3 Emergency Cut-Off Switch Kit for I/O and Inboard	311482-001

COMPATIBLE CABLES	PART NO.
<b>OEM/Univ. 3300 Types</b>	
Mercury 3600 type cable (premium)	CC630XX
<b>Universal 3300 Types</b>	
3300 cable (standard)	CC172XX
3300 cable (midrange)	CC330XX
33C cable (midrange)	032377-003-XX
33C Supreme (midrange)	301947-003-XXX
TFXTREME 3300 cable (premium)	CC633XX
<b>Jet Gate Control Cables:</b>	
Sport Jet 90 & early 120	CC213XX
(This is a special 33 type cable with different configuration at drive end for 90 and early 120's.)	
Sport Jet 175	311748-000-XXX
(This is a special 43 type cable with different configuration at drive end for 175's.)	
Purchase of cable connection Kits (may be required to complete control system installation)	

XX = length in feet

XXX = length in inches

