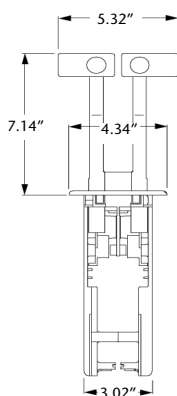




## CH4400 FLUSH MOUNT CONTROLS

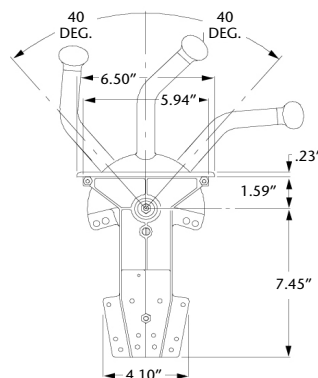
### TECHNICAL DATA

Stylish low profile flush mount design available in several function and style options. For single or dual station applications with single or twin engines. Single function (each lever controls shift or throttle). Suits 33C type cables. Suits 33c type cables.



Straight handle version drawing available on request

COMPATIBLE CABLES	PART NO.
<b>OEM/Univ. 3300 Types</b>	
Mercury 3600 type cable (premium)	CC630XX
<b>Universal 3300 Types</b>	
3300 cable (standard)	CC172XX
3300 cable (midrange)	CC330XX
33C cable (midrange)	032377-03-XXX.0
33C Supreme (midrange)	301947-03-XXX.0
TFXTREME 3300 cable (premium)	CC633XX



### SPECIFICATIONS

ORDER INFORMATION	PART NO.
<b>Straight handle models</b>	
Chrome/smooth friction	CH4451P
Chrome/ratchet friction	CH4452P
Black/smooth friction	CH4453P
Black/ratchet friction	CH4454P
<b>Raked handle models</b>	
Chrome/smooth friction	CH4481P
Chrome/ratchet friction	CH4482P
Black/smooth friction	CH4483P
Black/ratchet friction	CH4484P

ACCESSORIES AND PARTS	PART NO.
Optional neutral safety switch	CA68075P
3300 heavy duty brass pivot kit (2)	CA27563P
Replacement red aluminium knob	6801815
Replacement black aluminium knob	6801811
Replacement Chrome zinc knob	6801812
Screw for knob	6801918
Black knob cap (shift)	6802215
Red knob cap (throttle)	6802111
Cover (black plastic)	6800611
Cover (stainless steel)	6800618
Hardware kit	CA68057P

ISSUE DATE SEP-08  
DATA SHEET NO USA-MC(SA)1

### AT A GLANCE

#### FEATURES

- Single action design (one lever for throttle one for shift)
- Dual station capability
- Stylish look with either straight or raked handles
- Positive detents for shifts
- Push or pull to operate throttle and/or shift
- Includes hardware for two 3300/33 type cables
- Optional neutral safety switch
- Adjustable friction for precise throttle operation
- Standard control suits 33C type cables

