



ISSUE DATE SEP - 08  
DATA SHEET NO USA-HS7

**AT A GLANCE**

**FEATURES**

- Dramatically reduces wheel torque
- Easy to install
- Simple 'add on' to an existing SeaStar manual system (optimal performance achieved when used with SeaStar 1.4 - 2.0 pumps)
- OEM or Retro fit
- Compatible with power purge system
- Reverts to manual mode in the case of power loss.
- Suitable for use with autopilots
- 12v or 24v operation
- Wall or floor mounted
- Wiring harness, and mounting bracket included
- Ignition protected (SAE J-1171)
- ABYC, CE, NMMA, ISO 10592 Approved

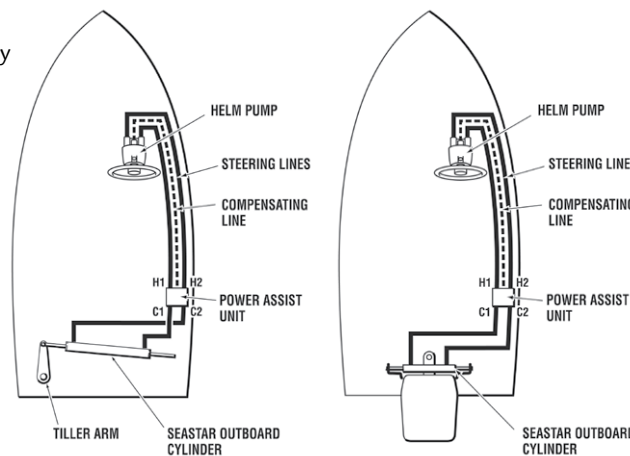
## SEASTAR HYDRAULIC POWER ASSISTED STEERING

### TECHNICAL DATA

SeaStar Power Assist steering brings automotive-type steering comfort and control to powerboats.

The addition of a Power Assist unit will greatly reduce steering effort and enhance the boating experience for everyone.

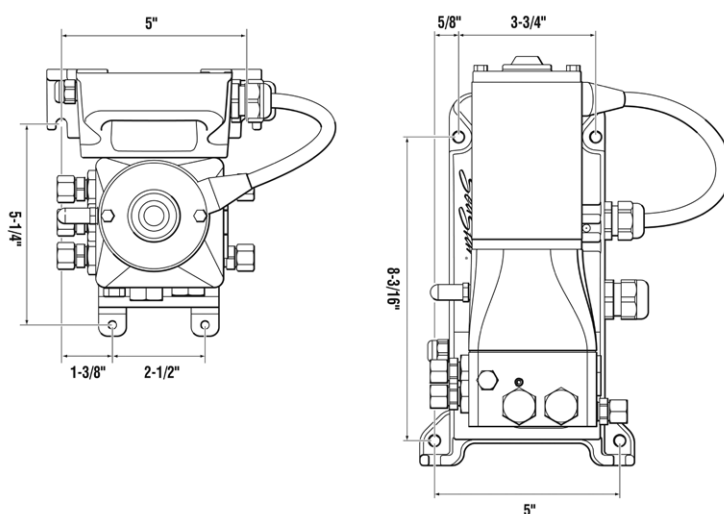
The SeaStar Power Assist steering unit is designed for use with SeaStar manual hydraulic steering systems and is suited for all heavy / high torque steering applications.



### TECHNICAL SPECIFICATIONS

<b>Voltage</b>	12V or 24V (automatically recognized)
<b>System Pressure</b>	1000 psi MAX (1500 psi MAX Power Assist Pro)
<b>Current Draw</b>	40 A MAX, 60 A Peak (1 A System Electronics)





TYPICAL APPLICATIONS
150hp+ single outboards
Heavy 4 stroke outboards
Twin/Triple outboards
High performance bass boats (SeaStar Power Assist Pro)
Non counter rotating twin outboards
Inboards where rudder torque makes wheel effort heavy or uncomfortable
Designed for difficult and hard to steer boats
Suitable for all O/B, I/O, I/B powered boats, equipped with standard hydraulic steering.

SEASTAR POWER ASSIST	PART NO.
Regular Power Assist, 15' harness	PA1200-2
Regular Power Assist, 25' harness	PA1225-2
SEASTAR POWER ASSIST PRO	PART NO.
PRO Power Assist, 15' harness	PA1315-2

### OPTIONAL ACCESSORIES

#### SEASTAR P/A DUAL IGNITION CONTROL KIT

Part No. HA1201

The Dual Ignition Control Kit is designed to connect the Power Assist unit's ignition wire to two engines allowing one engine to be turned off and retain Power Assist control.

#### SEASTAR P/A HARNESS FUSE KIT

Part No. HA1206

The Harness Fuse Kit ensures ABYC compliance the Power Assist unit directly to battery

