

AT A GLANCE

FEATURES

- All controls include start in gear protection
- Designed for use with both universal and OEM shift and throttle cables
- Suitable for most single engine, single station boats
- Dual action lever (throttle and shift control on one handle)
- Neutral Interlock standard on all CH1700 controls
- Trim, Tilt, options available
- All controls include cut off switch (inboard and outboard versions)
- Drag adjustment on all models
- Easy installation and set up
- Neutral "warm up" button for throttle only operation



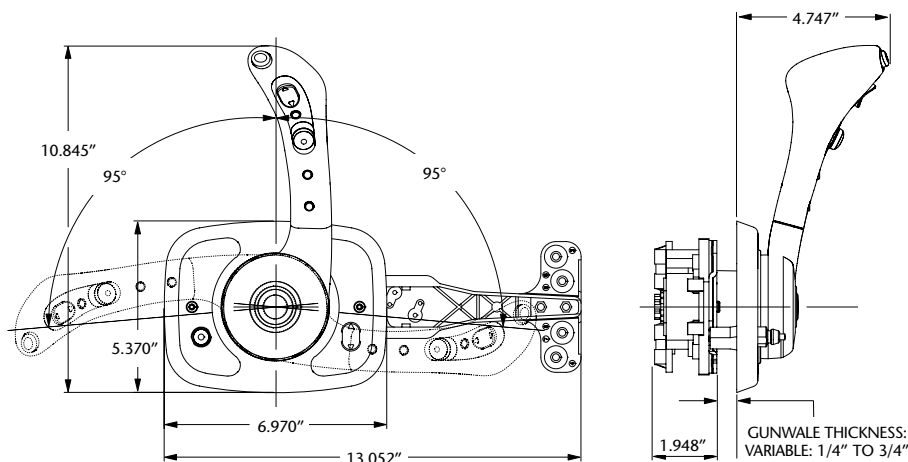
CH1752P Pictured

OSPREY SERIES CH1700 SIDE MOUNT CONTROL

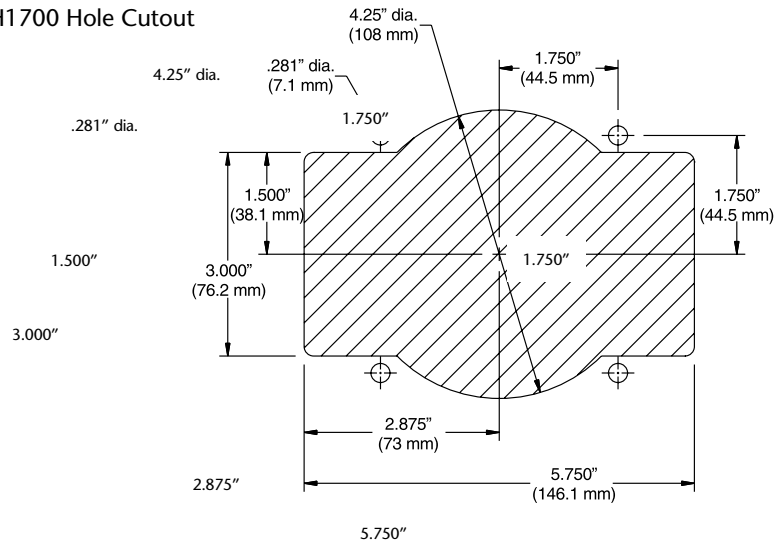
TECHNICAL DATA

The ergonomics and features of our CH1700 controls are advanced beyond those of any other control on the market. A shapely, balanced handle design provides an incredibly smooth yet positive feel, neutral interlock, throttle warm-up, and start-in-gear protection features are standard on all CH1700 models, with power trim/tilt, emergency cut off switches offered as an option. In addition the cosmetics of these controls can be configured to suit many tastes. For a starboard gunwale mount control.

CH1700 controls are suitable for use both universal (3300 type) or OEM type control cables without adaptation.



CH1700 Hole Cutout



SPECIFICATIONS

ENGINE CONTROLS	PRODUCT NUMBER
Side Mount, Chrome Handle, Black Cover, Chrome and Black Inserts, I/O and O/B stop switch	CH1750P
Side Mount, Chrome Handle, Black Cover, Chrome and Black Inserts with trim, I/O and O/B stop switch	CH1751P
Side Mount, Chrome Handle, Black Cover, Chrome and Black Inserts with trim & tilt, I/O and O/B stop switch	CH1752P
SERVICE ITEMS	PRODUCT NUMBER
Insert Kit-CH1700-Black	7213111
Insert Kit CH1700-Chrome	7213017
Neutral Warm-up Button Kit-CH1700	7213214
Tilt Switch-CH1700-w/Chrome & Black Insert Kit	7206215
Outboard Cutoff Switch-CH1700 with Chrome & Black Insert Kit	7206212
Stern Drive (I/O) and Inboard Cutoff Switch-CH1700 with Chrome & Black Insert Kit	7206211
Cable Nest And Connection Kit	212151-003

