

**AT A GLANCE**

**FEATURES**

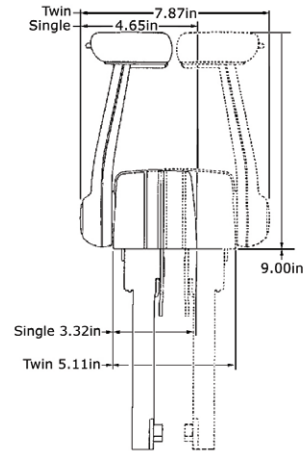
- Dual action (throttle and shift in one lever)
- Start in gear protection standard
- Neutral interlock prevents accidental engaging of gear (side mount only)
- Push button for neutral engine warm up
- Use 33C series type cables or OMC/Mercury OEM style cables
- Adjustable throttle damper
- Available with or without trim and/or tilt
- Neutral "warm up" button for throttle only operation



309479



309475-001/309475-002



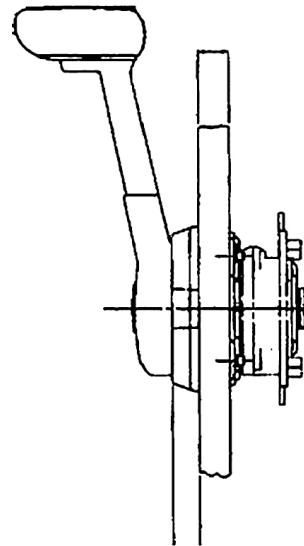
**SL3 TOP AND SIDE MOUNT CONTROLS RANGE**

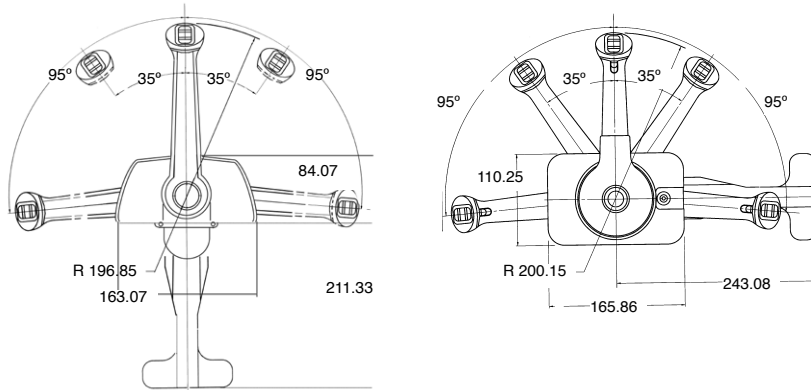
**TECHNICAL DATA**

Modern styling, dual action, top and side mount controls. Black satin finish available in single or twin engine versions, with or without trim and/or tilt switches. Suits 33C, OMC and Merc cables.

**SPECIFICATIONS**

ORDER INFORMATION	PART NO
SL3 Top mount single lever	
Top mount single standard	309476
Top mount single deluxe with trim switch	309477
Top mount single deluxe with trim & tilt switches (Volvo)	309478-001
Top mount single deluxe with trim & tilt switches	309478-002
SL3 Top Mount Twin Lever	
Top mount twin standard	309479
Top mount twin deluxe with trim switch	309480
Top mount twin deluxe with trim & tilt switches	309481
SL3 Side mount	
Side mount standard	309473
Side mount deluxe with trim switch	309474
Side mount deluxe with trim & tilt switches (Volvo)	309475-001
Side mount deluxe with trim & tilt switches	309475-002





ORDER INFORMATION	PART NO
Side mount w/cut-off switch (outboard)	
Side mount standard (cut-off switch)	311322-002
Side mount deluxe (cut-off & trim)	311323-002
Side mount deluxe (cut-off trim & tilt) (5wire - Volvo)	311324-002
Side mount deluxe (cut-off trim & tilt) )4 wire - non Volvo)	311325-002
Side mount w/cut-off switch (I/O & inboard)	
Side mount standard (cut-off switch)	311322-001
Side mount deluxe (cut-off & trim)	311323-001
Side mount deluxe (cut-off trim & tilt) (5 wire - Volvo)	311324-001
Side mount deluxe (cut-off trim & tilt) (4 wire - non Volvo)	311325-001

ORDER INFORMATION	PART NO
Trim switch kit (no wire harness) in side hand grip	315590
Top mount tilt switch/wire harness (not trim)	309514
Layard cut-off switch (side mount)	311376
Cut-off switch with cover (inboard/I/O)	311380-001
Cut-off switch only (inboard/I/O)	311379-001
Cut-off switch with cover (outboard)	311380-002
Cut-off switch only (outboard)	311379-002
Neutral safety switch (side or top mount)	051801-033
Top mount (single) replace. parts kit	316941
Top mount (twin) replace. parts kit	316942
Side mount replacement parts kit	317002
Side mount replacement parts kit (cut-off switch)	317003
Cable nest kit (mounts all cables to controls)	212151-003

