

AT A GLANCE

FEATURES

- Dual action (throttle and shift in one lever)
- Sturdy control provides one-handed positive engine control
- Start and warm-up are done by pulling out the hand levers in the neutral position
- Built in neutral safety switch to prevent starting in gear
- *Single control accepts 43C type cable with optional connection kit standard control suits 33C type cables
- Neutral "warm up" button for throttle only operation



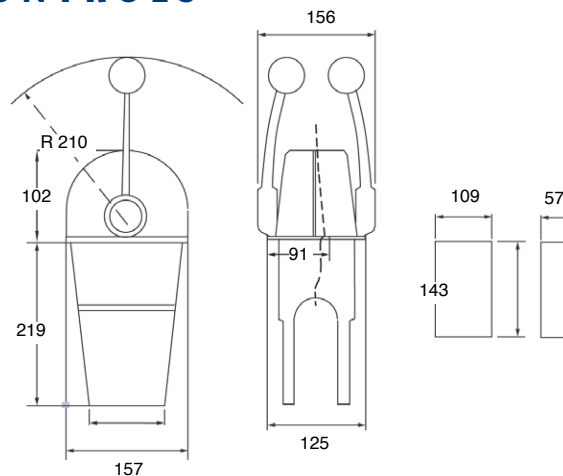
OPTIONS - CHROME KNOBS

MT3 TOP MOUNT CONTROLS

TECHNICAL DATA

World's most popular classic design, dual action, top mount controls. Chrome finish, available in single or twin engine versions. Suits 33C type control cables.*

* Single control accepts 43C type cable with optional connection kit. Standard control suits 33C type cables.



SPECIFICATIONS

ORDER INFORMATION	PART NO.
MT3 Single	308601
MT3 Twin	308732
Heavy duty conversion kit	308602
MT3 Pro Single Version with Stainless Steel Knobs	317461
MT3 Pro Twin Version with Stainless Steel Knobs	317462

