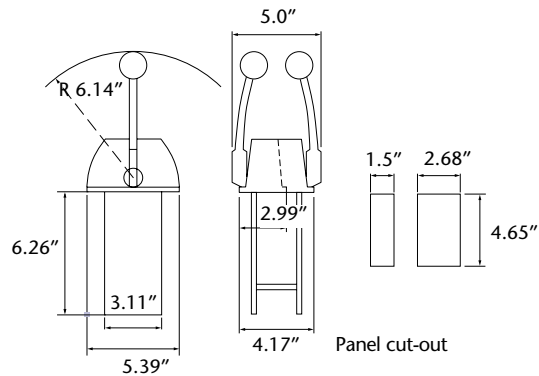


AT A GLANCE

FEATURES

- Highly polished corrosion resistant stainless steel covers and handle
- Simple, rugged, compact design
- Optional neutral safety switch to prevent starting in gear
- Optional hand lever extension
- Optional gear detent kit (if used in dual stations use on main operating station only)
- Standard control suits 33C and 43C type cables
- Mechanical advantage - shift 2.77:1/ throttle 2.77:1
- Meets/exceeds all applicable industry standards.



TWIN S & SINGLE S TOP MOUNT CONTROLS

TECHNICAL DATA

Single function, one or two lever versions. Highly polished, stainless steel covers. Suits 33C and 43 C type control cables.

SPECIFICATIONS

ORDERING INFORMATION	OLD PART NO.	NEW PART NO.
Twin S	031001-001	CH5200P
Single S	031002-001	CH5210P

ACCESSORIES & PARTS	PART NO.
Clutch detent kit	022328
In Series dual station kit - 30 series	039489-002
In Series dual station kit - 40 series (2 required for twin)	042152
Neutral safety kit	047307
Throttle hold kit (one per lever, prevent throttle creep)	306997

ACCESSORIES & PARTS	PART NO.
Ball Knob, Red	4009912**
Ball Knob, Black	4009819**
Stainless Steel Throttle Knob (grooved)	CA69052P**
Stainless Steel Throttle Knob (smooth)	CA69051P**
Mounting Hardware Kit, Twin	061001
Hand Lever Extension	036773

COMPATIBLE CABLES	PART NO.
Universal 3300 Types	
3300 cable (standard)	CC172XX
3300 cable (midrange)	CC330XX
TFXTREME 3300 cable (premium)	CC633XX

COMPATIBLE CABLES	PART NO.
OEM/Univ. 3300 Types	
Mercury 3600 type cabel (premium)	CC630XX
Universal 43 Types:	
TFXTREME 4300 BC cable	CC692XX
TFXTREME 4300 CC cable	CC693XX

** Fits most controls with 3/8-24 threaded levers.

