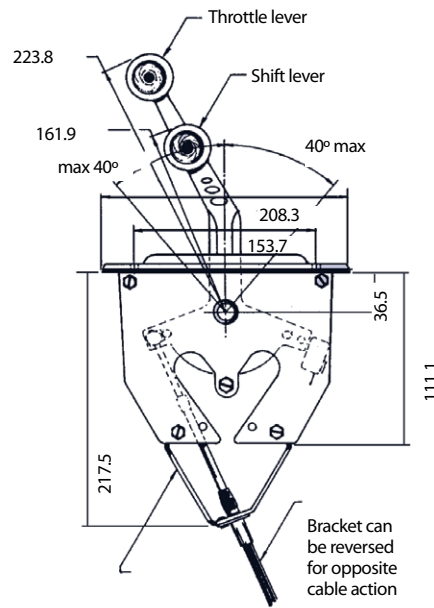


AT A GLANCE

FEATURES

- Single action (throttle or shift in one lever)
- Flush top mount
- Modular construction
- Stainless steel levers
- Neutral safety switch to prevent starting in gear
- Positive gear detents, smooth ratchet throttle or optional adjustable throttle brake
- standard control suits 33C type cables

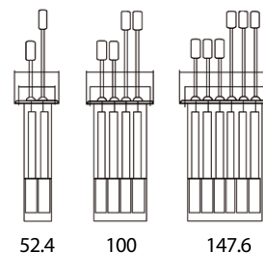


MY FLUSH MOUNT CONTROLS

TECHNICAL DATA

Sports styling, flush mount design. Various finish/colour options, single action levers, available in two, four and six handle configurations. Suits 33C type cables.

HANDLES	BODY	2 LEVER	4 LEVER	6 LEVER
Colour	Colour	Control	Control	Control
Black	Black	311111-460	311122-460	311133-460
Satin	Black	311111-560	311122-560	311133-560



There are many additional combinations of MY controls available - options include forward cant or aft cant control handles / push/pull to throttle push/pull to shift etc.. details available on request.

